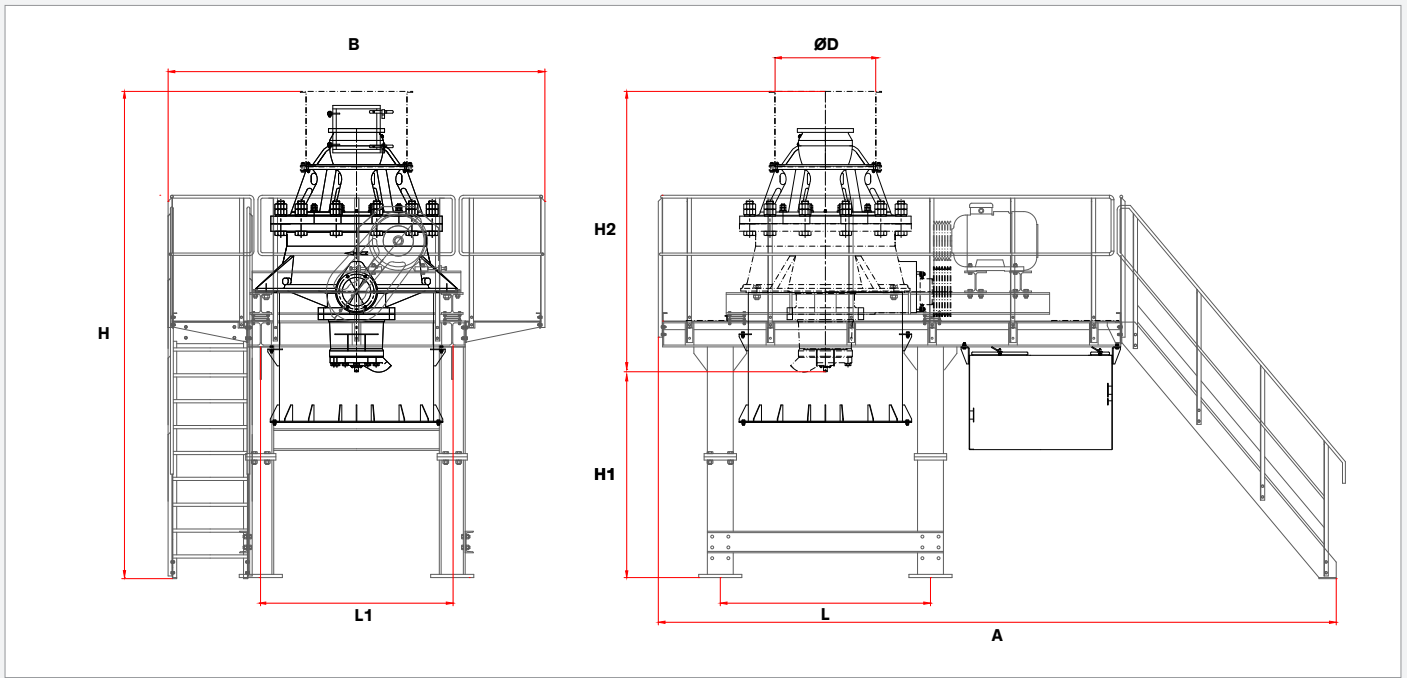




Cone Crushers

MCS 900, MCH 900 Technical Specification

Cone Crushers are used for crushing especially river gravel basalt and granite. They are also operated to crush hard and abrasive materials in iron, chrome, magnesite and copper mines. Cone crusher has been used as primary, secondary and tertiary crushers for a long time. The robust design provides the strength and stability necessary for the crushing of extra-hard materials. The design also results in low maintenance costs.



Models (mm - inch)	A	B	L	L1	H	H1	H2	ØD
MCS 900	6550	3515	1950	1950	4960	1925	3035	1430
	257 7/8	138 3/8	76 3/4	76 3/4	195 1/4	75 3/4	119 1/2	56 1/4
MCH 900	6550	3515	1776	1776	4500	1925	2575	930
	257 7/8	138 3/8	69 7/8	69 7/8	177 1/8	75 3/4	101 3/8	36 5/8

Capacities & Technical Specifications

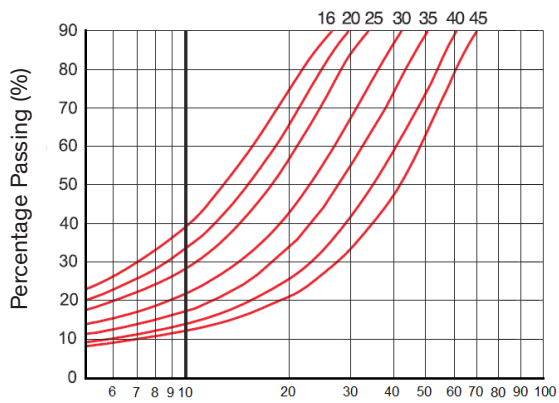
Model	Mantle type	Max. feeding size (mm - inch)	Motor (kW)	Closed side settings (mm)			
				25	32	38	44
				Capacity (t/h)			
MCS 900	coarse	150 (5 7/8)	75	105	125	150	175
			90	110	145	180	200
	fine	100 (3 7/8)	75	100	120	140	155
			90	120	140	160	180

Model	Mantle type	Max. feeding size (mm - inch)	Motor (kW)	Closed side settings (mm)					
				10	13	19	22	25	32
				Capacity (t/h)					
MCH 900	coarse	60 (2 3/8)	75	60	80	90	105		
			90		90	100	115	140	
	fine	45 (1 3/4)	75	52	55	65			
			90	75	80	85			

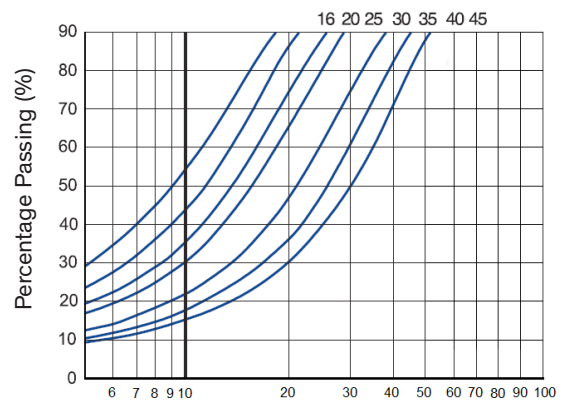


Production Curves

MCS 900



MCH 900



Product Size (mm)

Contact Information

MEKA Crushing & Concrete Batching Technologies
 Camlica Mh. Anadolu Bl. 147. St Atlas Is Merkezi No: 5/9 - 10
 Gimat, ANKARA / TURKEY

Phone : +90 312 397 91 33
 Email : sales@mekacrushers.com
www.mekacrushers.com

